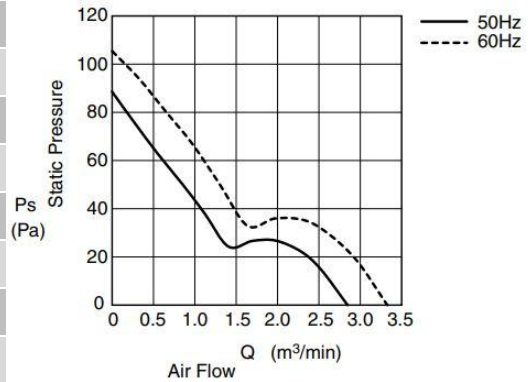


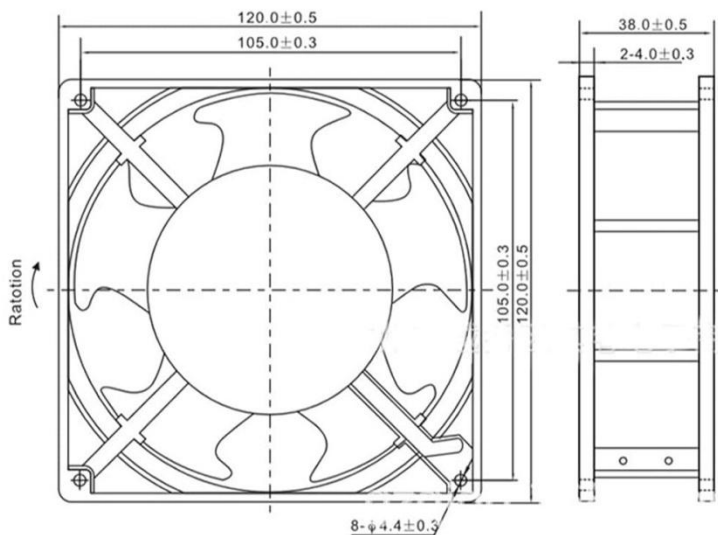
# Specification Datasheet

## COMPACT AC AXIAL FAN ( COOLING FAN )

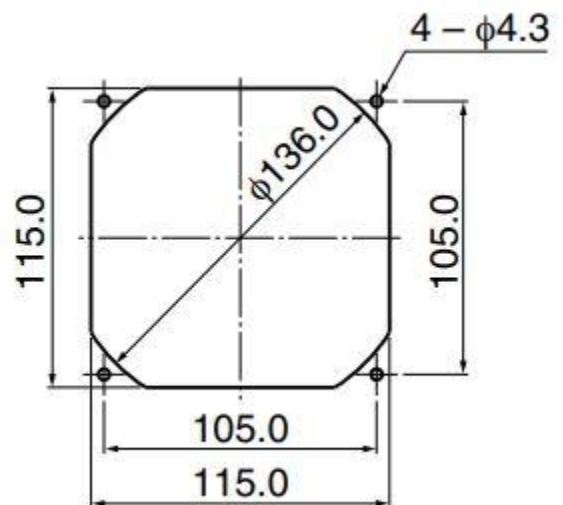
Model Number	: RC-12038B4HST
Fan Size	: 120x120x38MM
Bearing System	: Ball Bearing
Blade	: PBT (5 Blade)
Housing	: Aluminium Die Cast
Motor Protection	: Shaded Pole Motor
Operating Temperature	: -25°C to +70°C
Insulation Class	: B
Insulation Resistance	: ≥100MΩDC 500V Megger
Operating Voltage	: 415VAC
Current Ampere	: 0.05/0.07
Watt	: 18/20
Frequency (Hz)	: 50/60
Speed (RPM)	: 2650/2850
Air Flow (CFM)	: 90/105
Noise (dBA)	: 41/47
Product Life	: 25~40K Hours 25-40°C
High Voltage Test	: 4kV 50Hz Withstood



### FAN DIMENSIONS IN MM



### PANEL CUTOUT



**VALAKI INDUSTRIES**

866/6/5-A, MAKARPURA GIDC, GUJARAT, INDIA.

valakiindustries@gmail.com