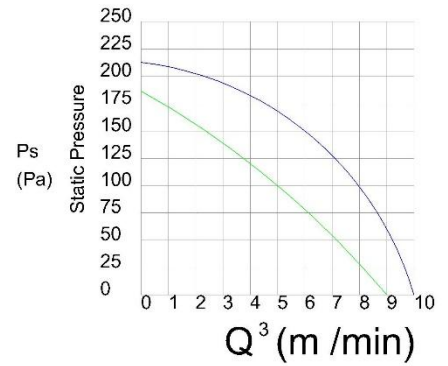


# Specification Datasheet

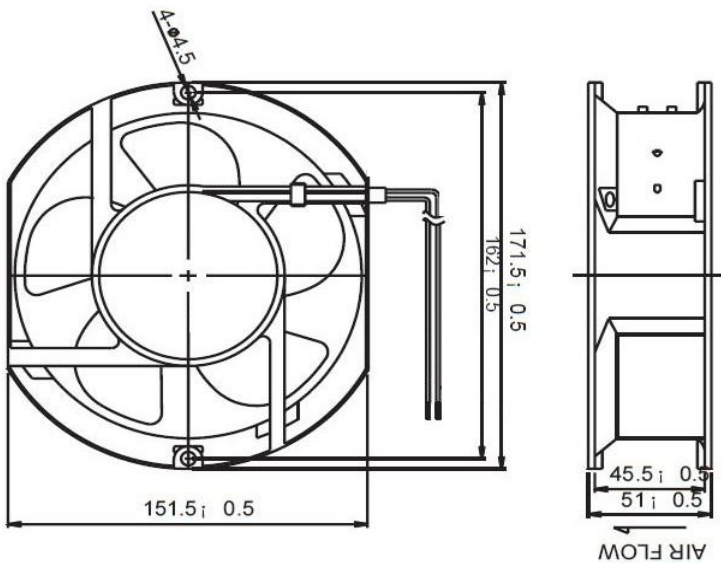
## COMPACT AC AXIAL FAN ( COOLING FAN )

Model Number	: RC-17251A2HST
Fan Size	: 172x150x51MM
Bearing System	: Sleeve Bearing
Blade	: PBT (5 Blade)
Housing	: Aluminium Die Cast
Motor Protection	: Shaded Pole Motor
Operating Temperature	: -25°C to +70°C
Insulation Class	: B
Insulation Resistance	: ≥100MΩDC 500V Megger
Operating Voltage	: 220~230VAC
Current Ampere	: 0.19/0.21
Watt	: 27/31
Frequency (Hz)	: 50/60
Speed (RPM)	: 2550/2650
Air Flow (CFM)	: 175/220
Noise (dBA)	: 48/53
Product Life	: 25~40K Hours 25-40°C
High Voltage Test	: 4kV 50Hz Withstood

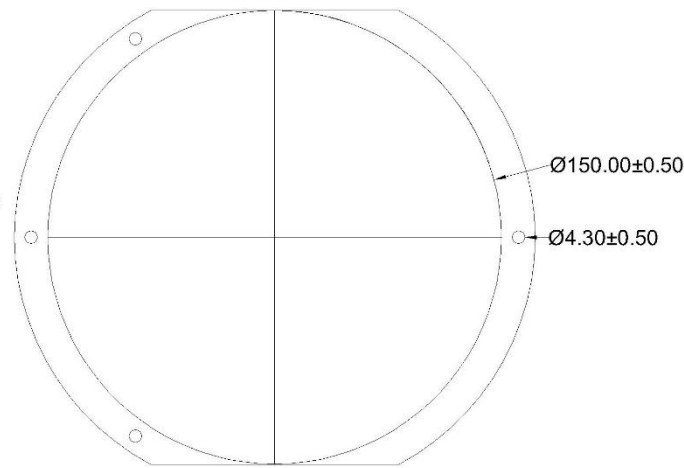


Air Flow

### FAN DIMENSIONS IN MM



### PANEL CUTOUT



**VALAKI INDUSTRIES**

866/6/5-A, MAKARPURA GIDC, GUJARAT, INDIA.

valakiindustries@gmail.com